



**Wheelbarrow Company Ltd.**

**WHEELBARROW  
PARTS & KITS  
BREAKDOWNS**

## TUB CHOICES

ID	Part #	Description	Qty
<b>1A</b>	<b>M-TUB6.75</b>	<b>Tub, Black, 6.75 cu.ft.</b>	<b>1</b>
<b>1B</b>	<b>M-TUB7.75</b>	<b>Tub, Black, 7.75 cu.ft.</b>	<b>1</b>

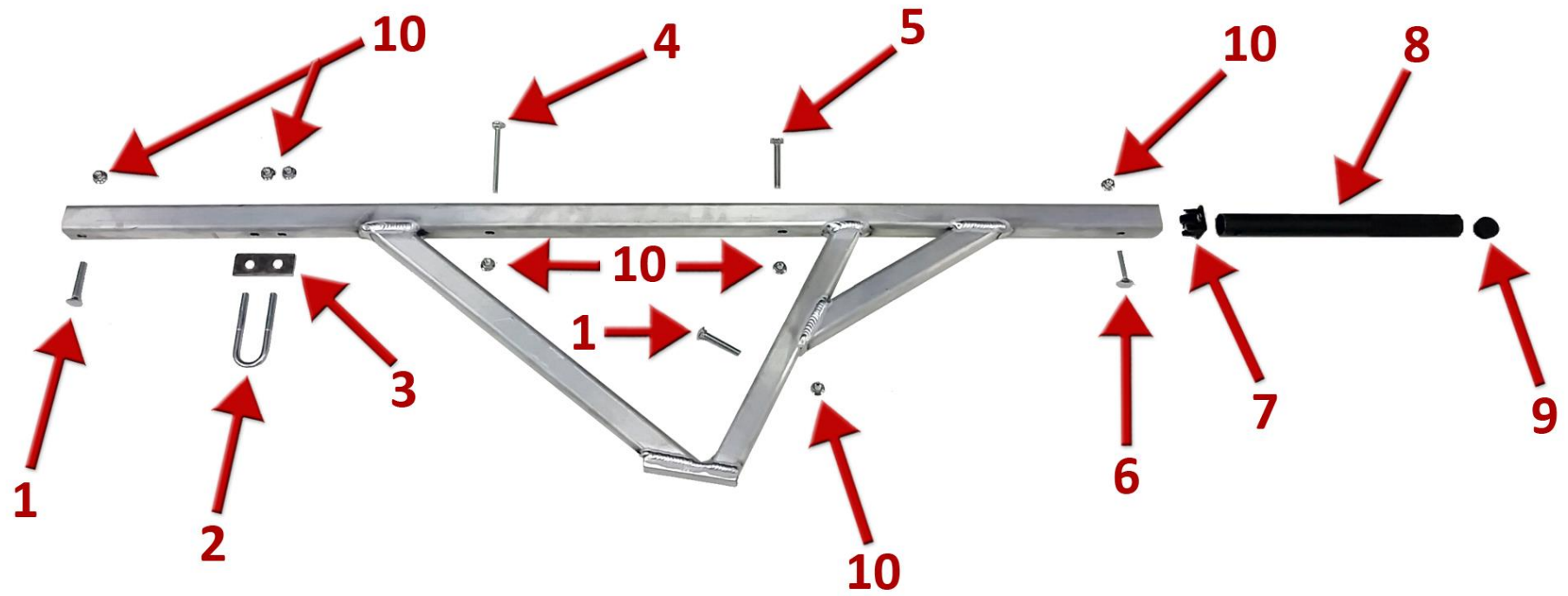


### FRAME KIT (Part # M-FRAME) CORE PARTS

(also includes FRAME KIT PARTS BREAKDOWN on next page)

ID	Part #	Description	Qty
<b>2</b>	<b>204</b>	<b>Brace, Nose</b>	<b>1</b>
<b>3</b>	<b>202</b>	<b>Brace, Crosspiece</b>	<b>1</b>
<b>4</b>	<b>205</b>	<b>Plastic End Cap for the Brace, Crosspiece</b>	<b>2*</b>
<b>5</b>	<b>203</b>	<b>Brace, Back</b>	<b>1</b>
<b>6</b>	<b>201</b>	<b>Frame Piece</b>	<b>2</b>

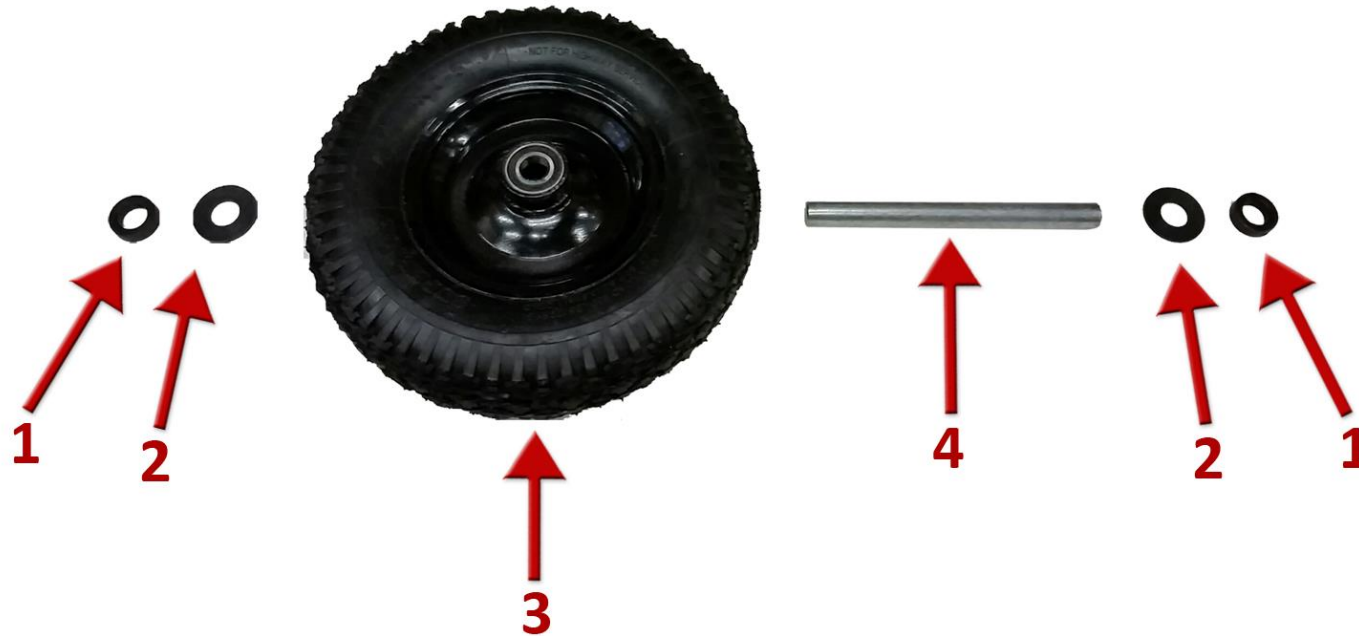
# FRAME KIT PARTS BREAKDOWN



ID	Part #	Description	Qty
1	301	Carriage Bolts for Brace, Back & Brace, Nose (2-1/4" x 3/8")	4*
2	304	U-Bolt for Wheel	2*
3	200	Shim (1/4")	2*
4	303	Carriage Bolt for Tub (4" x 3/8")	2*
5	302	Carriage Bolt for Tub (2-3/4" x 3/8")	2*
6	300	Carriage Bolt for Handle (2" x 3/8")	2*
7	206	Plastic End Cap for Frame to Handle	2*
8	208	Handle, Knurled	2
9	207	Plastic End Cap for Handle	2*
10	306	Flange Nut (3/8")	14*

## SINGLE WHEEL KIT BREAKDOWN

(Kit Part # M-TIREAIRSNG or Kit Part # M-TIREFOAMSNG)

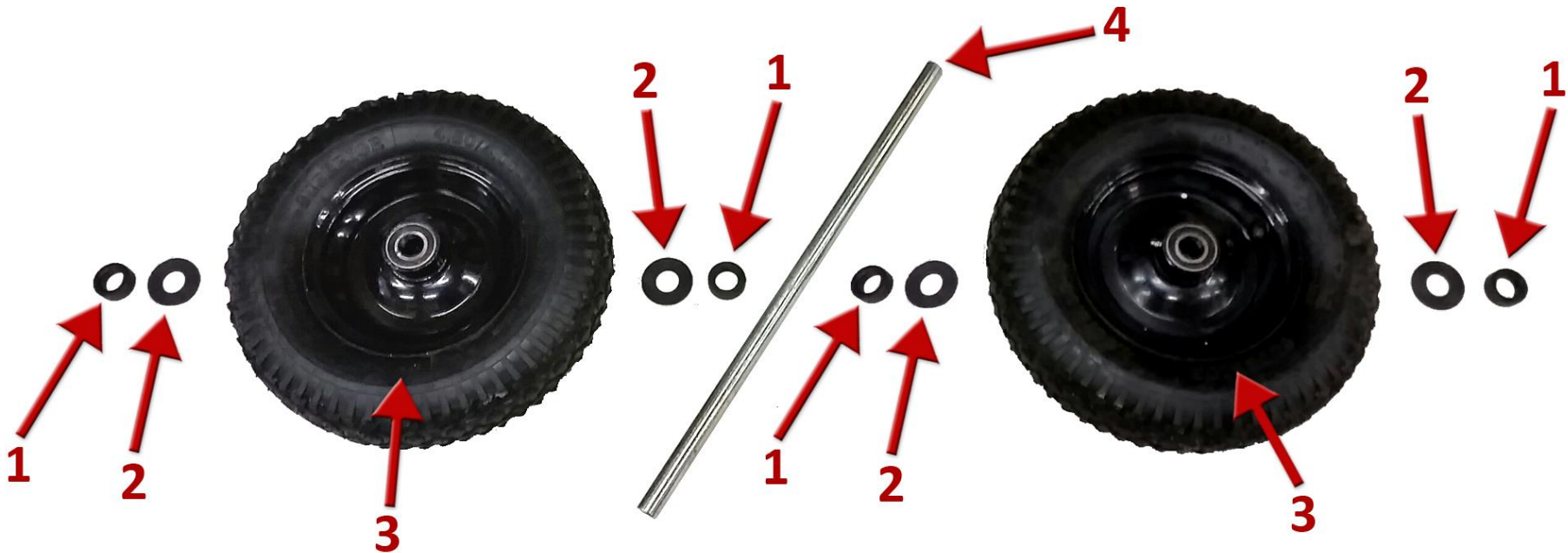


<b>ID</b>	<b>Part #</b>	<b>Description</b>	<b>Qty</b>
<b>1</b>	405	Shaft Collar, Axle (1")	<b>2</b>
<b>2</b>	404	Plastic Washer, Axle	<b>2</b>
<b>3</b>	400 or 401	See Page 7 For Wheel Choices	<b>1</b>
<b>4</b>	402	Axle, Single Wheel (10-1/2")	<b>1</b>



## DUAL WHEEL KIT BREAKDOWN

(Kit Part # M-TIREAIRDUAL or Kit Part # M-TIREFOAMDUAL)



ID	Part #	Description	Qty
1	405	Shaft Collar, Axle (1")	4
2	404	Plastic Washer, Axle	4
3	400 or 401	See Page 7 For Wheel Choices	2
4	403	Axle, Dual Wheel (24")	1

# SINGLE TO DUAL WHEEL CONVERSION KIT BREAKDOWN

(Kit Part # M-CONVAIR or Kit Part # M-CONVFOAM)



<b>ID</b>	<b>Part #</b>	<b>Description</b>	<b>Qty</b>
<b>1</b>	405	Shaft Collar, Axle (1")	<b>2</b>
<b>2</b>	404	Plastic Washer, Axle	<b>2</b>
<b>3</b>	400 or 401	See Page 7 For Wheel Choices	<b>1</b>
<b>4</b>	403	Axle, Dual Wheel (24")	<b>1</b>

## WHEEL CHOICES



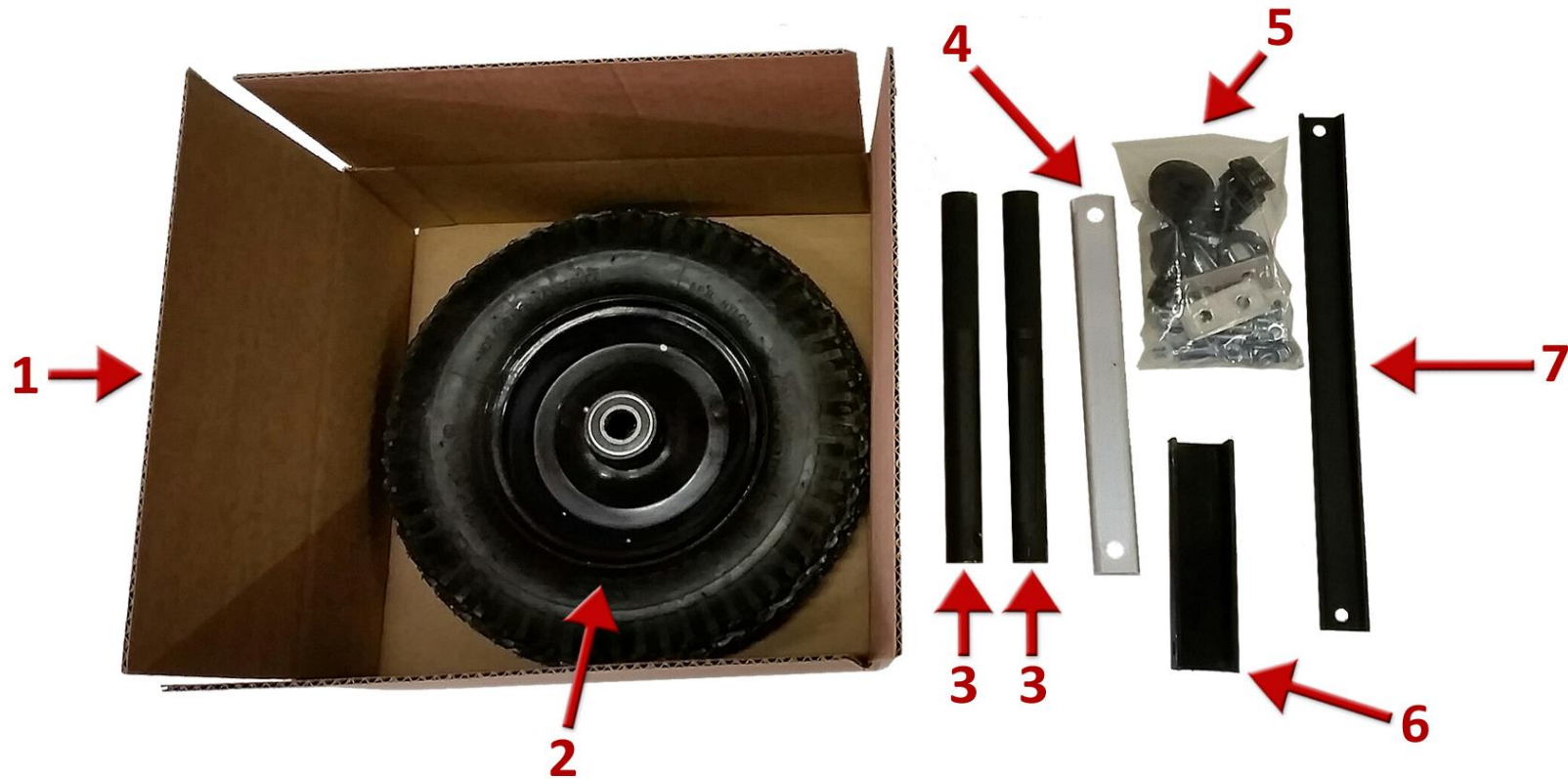
**Pneumatic Wheel with Puncture-Resistant Solution**  
**Part #: 400**



**Solid Foam Wheel**  
**Part #: 401**

# PARTS BOX KIT BREAKDOWN

(Kit Part # M-BOX)



ID	Part #	Description	Qty
1	500	Cariola Cardboard Box	1
2A	M-TIREAIRSNG or M-TIREFOAMSNG	Wheel Kits Sold Separately	1
2B	M-TIREAIRDUAL or M-TIREFOAMDUAL	See Pages 4 & 5 for Options	1
3	208	Handle, Knurled	2
4	202	Brace, Tub (1-1/2")	1
5	Parts Bag	See *Items On Pages 2 & 3	1
6	204	Brace, Nose	1
7	203	Brace, Back	1